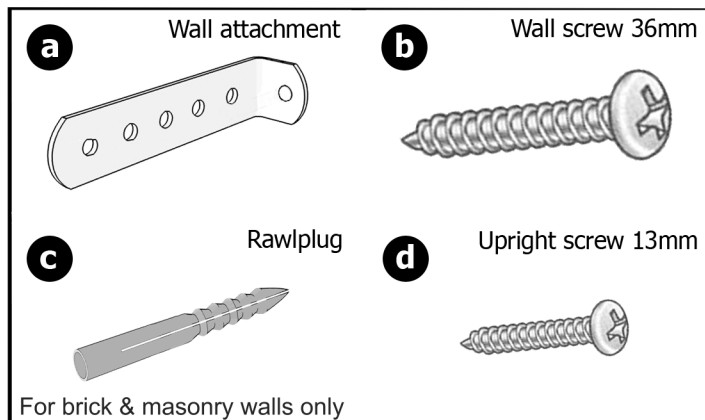


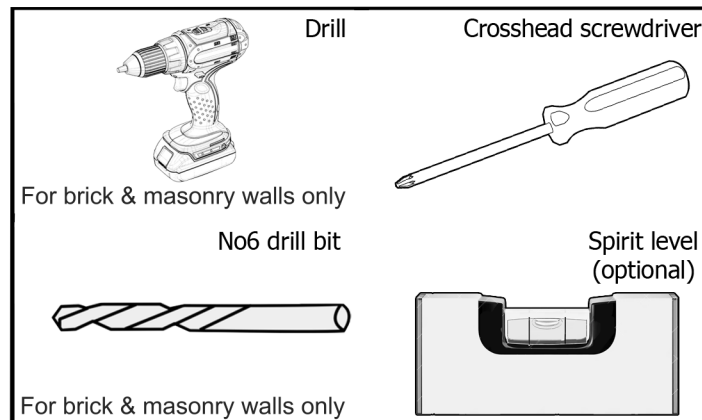
Before you begin, please read the assembly instructions in full.

Wall Attachment (No Backboard) single or multi-bay any height

In the pack:



Tools required:



Notes

DO NOT attempt to assemble your shelving system until at least one upright has been secured to a wall.

Wall attachment

Wall attachments have several fixing holes to allow for varying depths of skirting board etc.

If securing to plaster board use an appropriate plaster board/cavity fixing (not supplied).

Shelves

Shelves are NOT fixed to uprights they are all adjustable including the top and bottom shelf.

Uprights

There is no front or back to an upright, they can be used either way round.

The top of the uprights have an open groove.

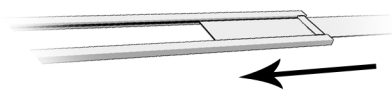
Outer uprights can be used on the left or right.

The shelf support holes in the uprights are offset.

Infills

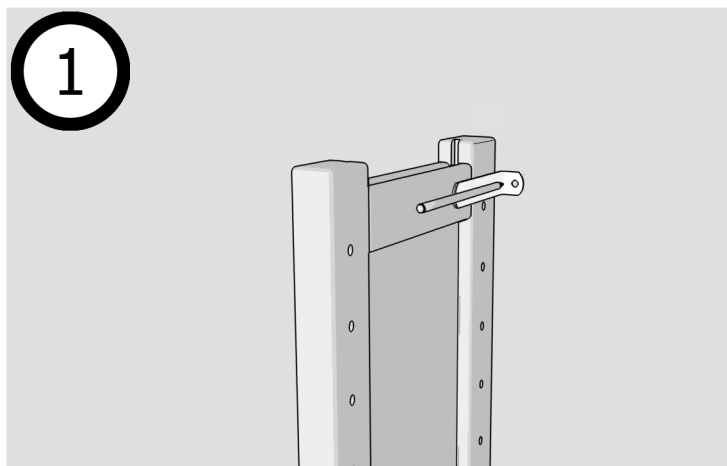
If supplied, insert into the uprights before starting to assemble.

Infills slide into a groove in the top of the upright.



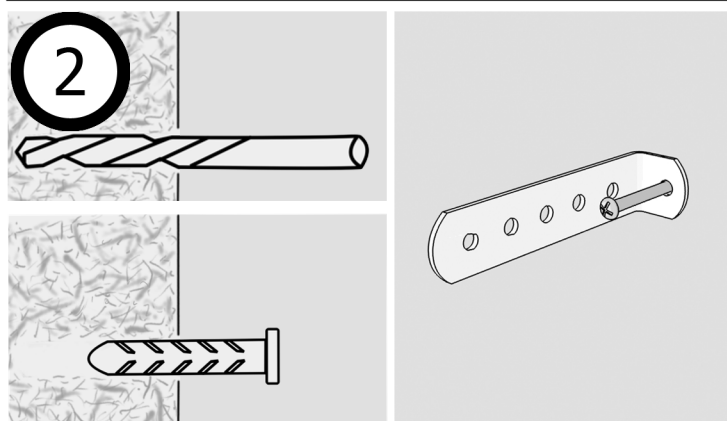
Plinths

If supplied, should be attached before starting to assemble.

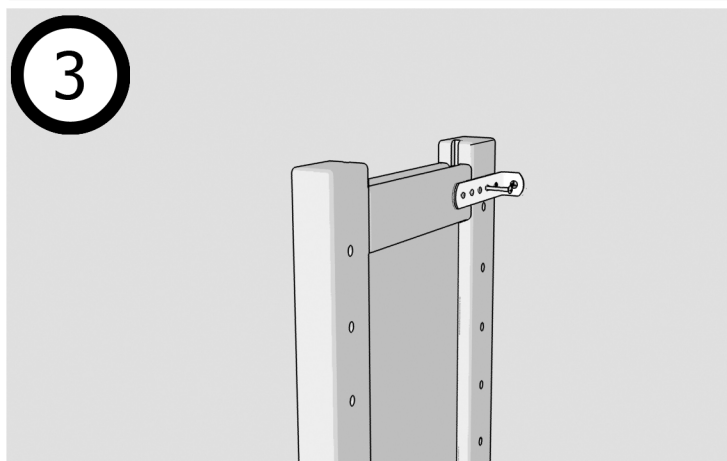


Place your first upright (inner or outer) against the skirting board or wall.

Place the wall attachment **a** against the upright and mark the wall through the fixing hole as shown left.



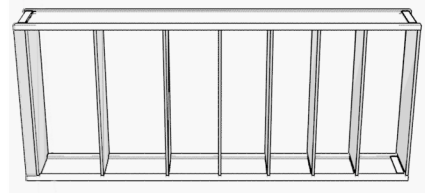
Remove the upright, drill and rawl plug **c** the wall and fix the wall attachment **a** with wall screw **b**



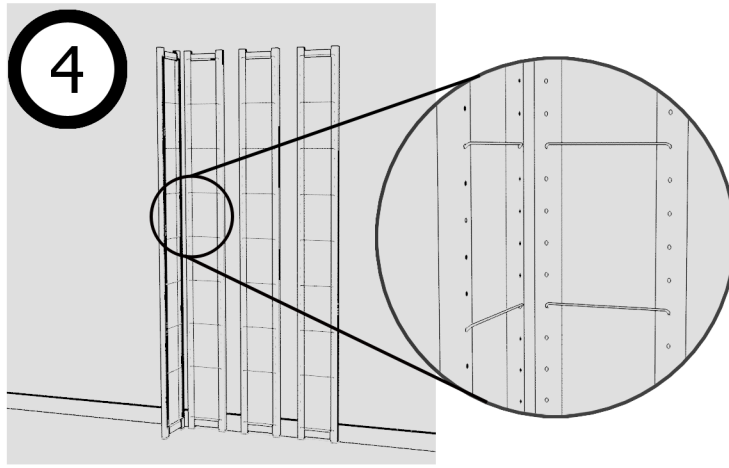
Bring the first upright back into position and secure using the upright screw **d**

Before fixing ensure that the upright is vertical.

Use a spirit level if required.

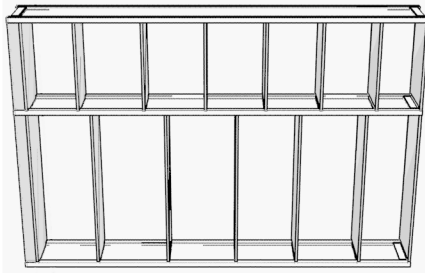


4

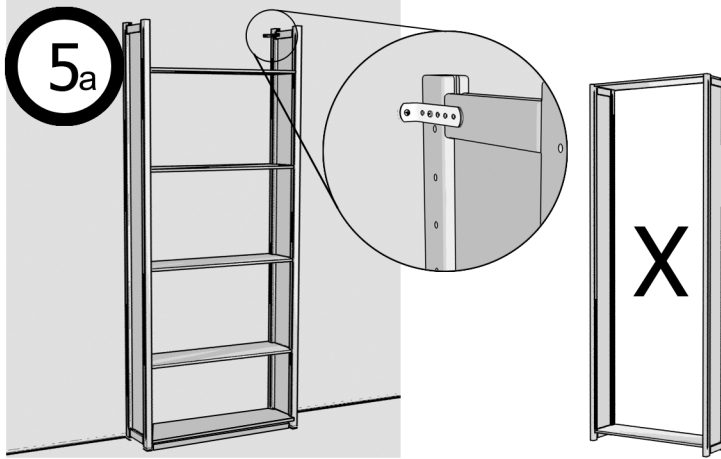


Depending on the height of your uprights insert several shelf supports.

All shelves can be adjusted after assembly.

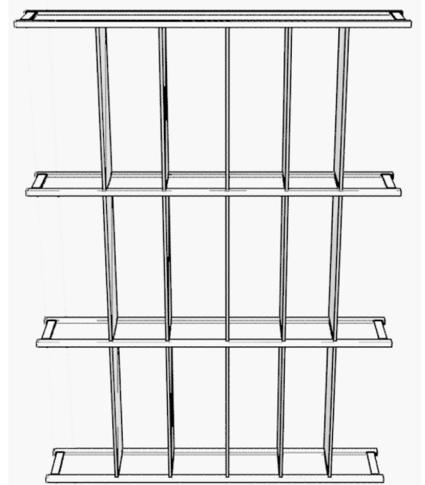


5a

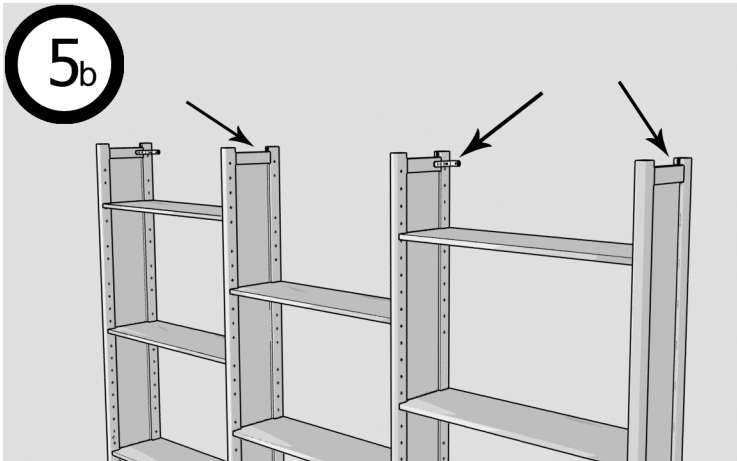


Start adding your shelves working from the bottom to the top, do not add a top shelf at this stage as it will interfere with fixing the wall attachment.

If you have 1 bay of shelving, you can now fix the second upright as in sections 1-3. Note: the upright will be in place as described in section 3.

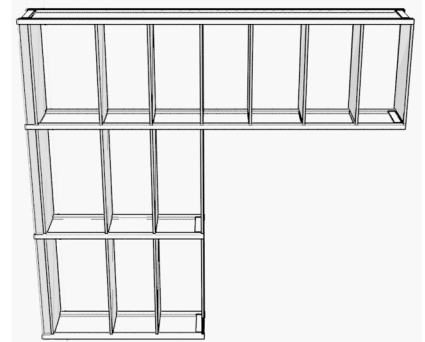


5b

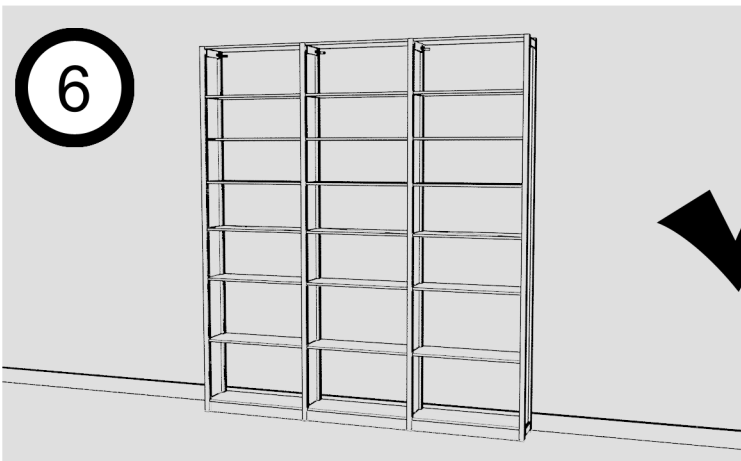


Continue to build all your bays.

If adding multiple bays, build the remaining bays then attach the wall attachment as described above.



6



Add any remaining shelves to your system.

